



## 7in M2 LED Headlight Adapter Install Manual

### Install Information:

For specific bike fitment and models that this adapter will fit please check out our website [www.NextLvlinnovation.com](http://www.NextLvlinnovation.com)  
There is also an install video to help with the installation.

**Install Time:** 30-40 Mins

**Install Difficulty:** Easy-Moderate

**Tools Needed:**

M 2 Allen Wrench

Phillips Head Screwdriver

Small tip Flat or Phillips Head (Adjustment)

### Part Descriptions:

This adapter will fit most 7" aftermarket LED headlights in the stock bezel and bucket of the Suzuki C50 and C90 motorcycles as well as the Kawasaki Vulcan motorcycles (Other models are possible, check fitment guide on our website). It has vertical and horizontal adjustment using the stock halogen hardware/method.

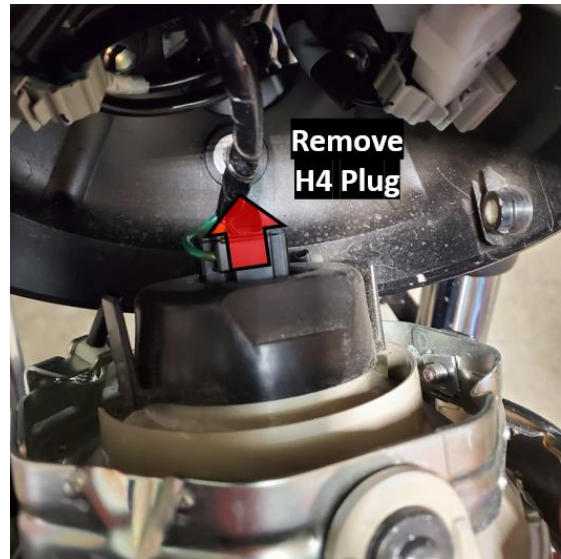
**Key Ring:** Mates with the LED headlight's key and is the base part.

**Clamp Ring:** Clamps the LED headlight against the Key Ring.

**Side Mounts:** Attachment points between the LED adapter and the motorcycle bezel.

**Adjustment Piece:** For headlight vertical angle adjustment and stability/vibration damping.

### Uninstall of Stock Halogen Light:



**Step 1:**

Suzuki Motorcycle:

Unclip the front bezel Guard. Remove the two Philips head screws on each side on the headlight bucket to remove the headlight assembly.

Kawasaki Motorcycle:

Unscrew the two Philips head screws on the left and right side to remove the bezel and the headlight assembly.

**Step 2:** Remove the headlight assembly. Then unplug the H4 plug powering the headlight.

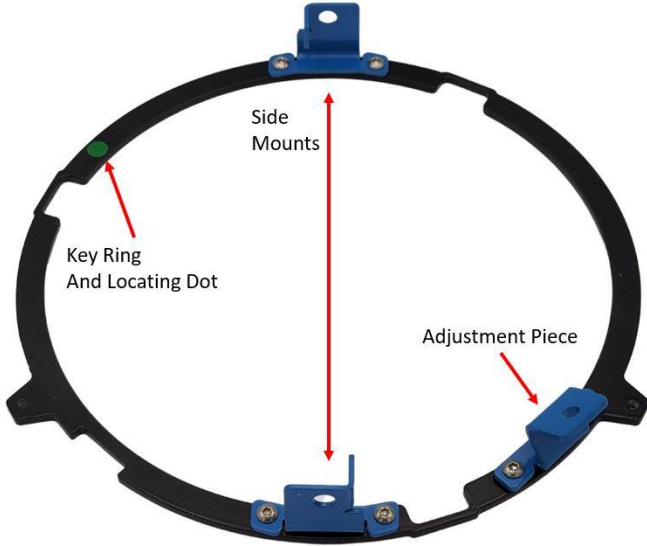
*\*Images may differ from your motorcycle*

**Step 3:** Remove the inner bracket(s) from the stock headlight by removing four Philips head screws. Remove both adjustment screws/springs from the bezel and headlight. Keep all the stock hardware and inner brackets to be used with the new assembly.



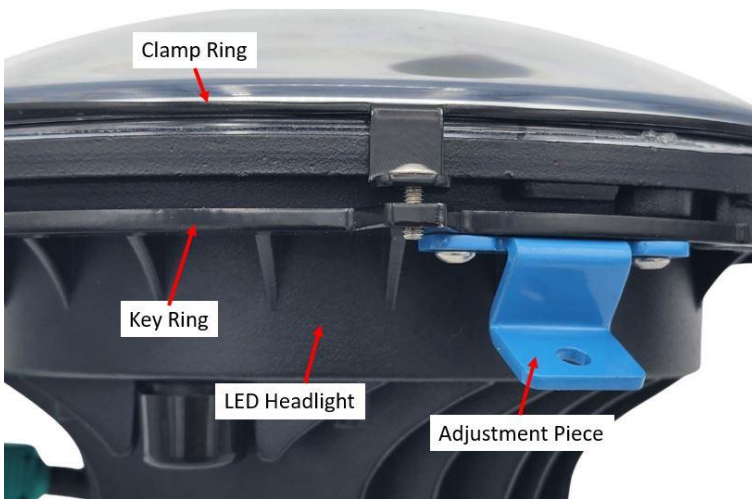
**Loctite Application:** Use one drop about 1 to 2 threads up from the bottom of each screw supplied with the adapter right before installing. (Pictures to the left). Sets in 10 Mins, cures in 24 Hours.

## Install LED Headlight:

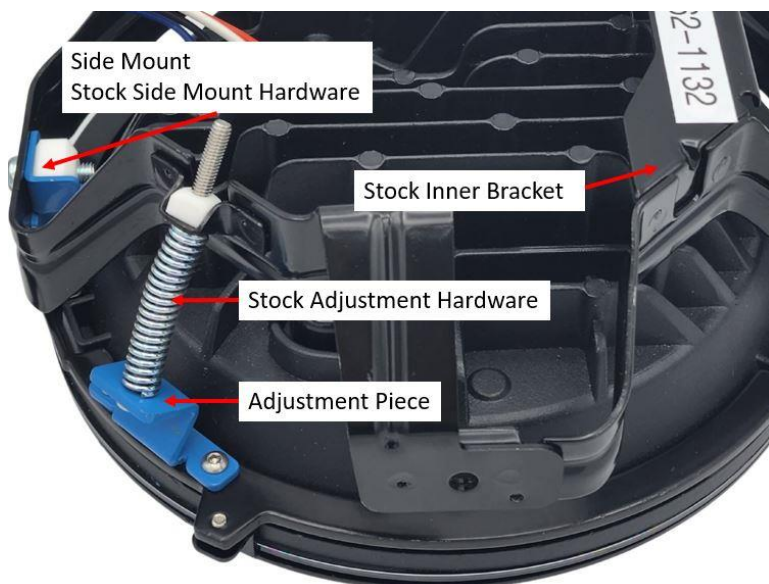


**Step 1:** Lay the Key Ring flat with the green locating dot facing up. Using the M3x5 screws attach the Side Mounts and Adjustment Piece as depicted.

The LED Headlight and Headlight Keys will fit in this Key Ring assembly. The top of the headlight should be located inline with the top side mount. The Key Ring should lay flush with the LED Headlight.



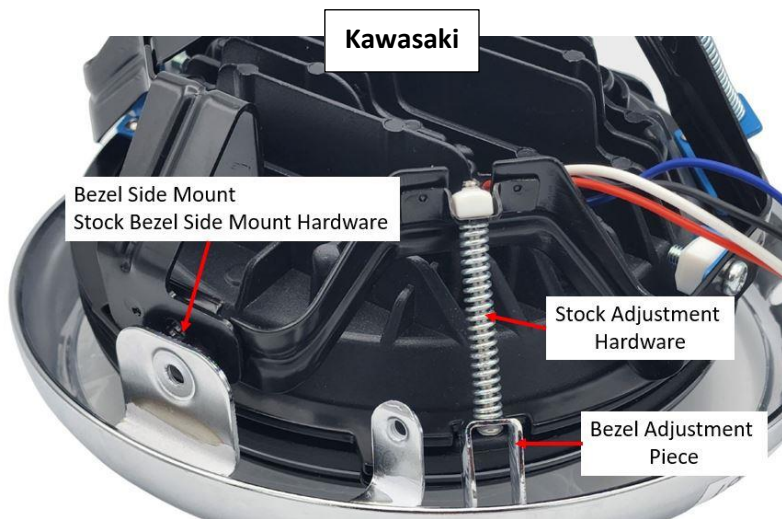
**Step 2:** Apply the Clamp Ring to the top of the LED Headlight. Align the three tabs of the Clamp Ring to the three tabs of the Key Ring. Use the three M3x8 screws and attach the Clamp ring to the Key Ring. Tighten each screw equally with about 1 to 2 mm exposed passed the Key Ring. *Do Not Overtighten, the Clamp Ring will bow out and not hold the Headlight properly!*



**Step 3a:** Add the black stock inner headlight bracket and align the adjustment nut slot to the Adjustment Piece on the LED Headlight Assembly. Make sure the second bracket adjustment location is in line with the cutout piece on the Key Ring.

**Step 3b:** Using the stock adjustment hardware add the spring between both adjustment surfaces and thread the M4 screw through. Tighten the spring until it is compressed about 35 mm. No Loctite is needed.

**Step 3c:** With the spring under tension, you can now attach the side mounts to the inner bracket using the stock side mount hardware. Tighten down.



**Step 4a:**

Suzuki:

Add the second stock inner headlight bracket and align the first black inner bracket's adjustment nut slot to the Adjustment Piece on the second inner bracket.

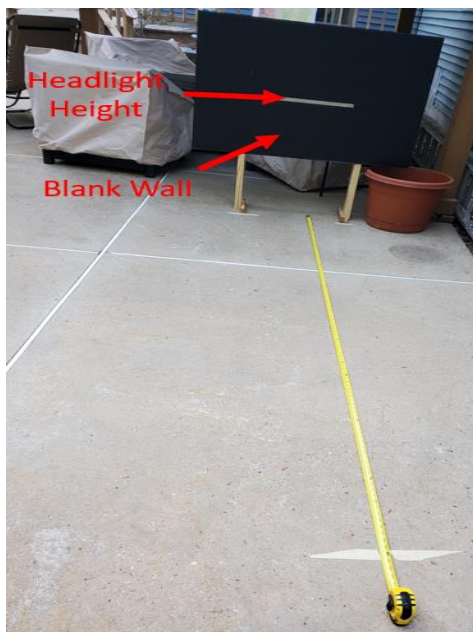
Kawasaki:

Add the stock bezel and align the black inner bracket adjustment nut slot to the Adjustment Piece on the bezel.

**Step 4b:** Using the stock adjustment hardware add the spring between both adjustment surfaces and thread the M4 screw through. Tighten the spring until it is compressed about 35 mm. No Loctite is needed.

**Step 4c:** With the spring under tension, you can now attach the inner brackets side mounts to the second inner bracket/bezel using the stock side mount hardware. Tighten down.

**Adjustment:**



**Step 5:** Install the headlight in your bike. See the beginning steps and go in reverse. Take a moment and look at your new LED headlight assembly! Doesn't it look good?



**Adjustment:** After the headlight is installed on your bike position the bike 10 feet from a blank wall. Measure from the ground the height of the headlight (to center) with the rider sitting on it. Now mark your wall with this dimension. Adjust the headlight until the low beam pattern is equally spaced over the line on the wall. The horizontal adjustment should be Neutral to slightly pointed toward the edge of the road away from on coming traffic.

**Maintenance:**

All hardware should be checked periodically (1000 miles). If riding on rougher terrain check more often. Hardware should be inspected and retightened. Contact [Info@NextLvLInnovation.com](mailto:Info@NextLvLInnovation.com) or visit us at [www.NextLvlinnovation.com](http://www.NextLvlinnovation.com) for more information.

Warning:

Next Level Innovation LLC (NLI) is not associated with Suzuki or other third party vendors. NLI is not responsible for the misuse or void of warranty this may cause to your motorcycle. Use at your own risk. Any modifications made to this product ("7M2-LED-ADT-01-1") will void the warranty.